

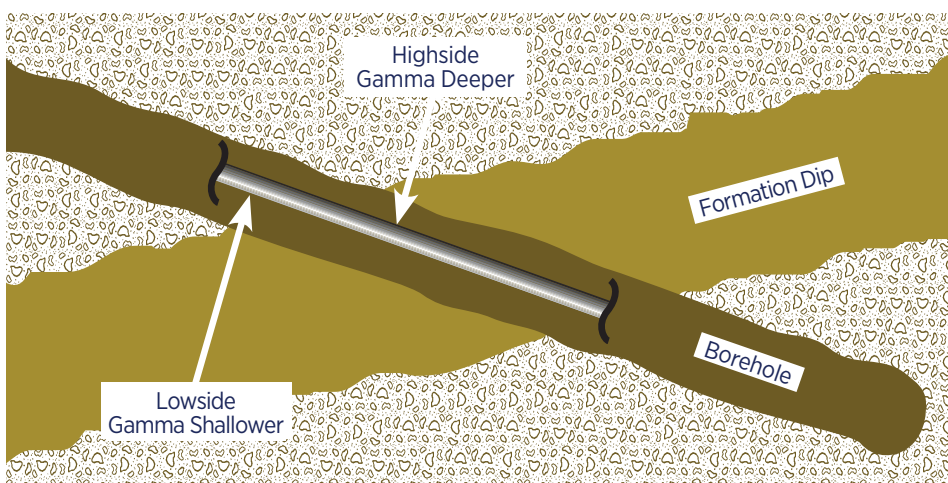
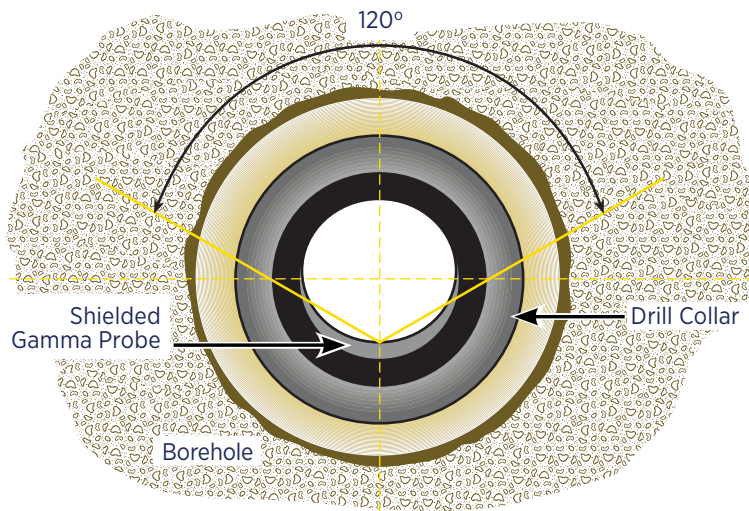
EnSight MWD™

FOCUSED GAMMA ADD-ON

The EnSight MWD™ 'Focused' Gamma is an add-on to the EnSight MWD Lite Positive Pulse with an eccentrically shielded scintillator providing a 120° aperture. As part of our Positive Pulse System the tool ensures top performance in a variety of flow ranges and collar diameters from 3.5 inches to 9.5 inches outside tool diameter. This modularity, combined with the MWD System's rugged and retrievable design, minimizes rig downtime and financial risk. This has been proven to be the most efficient manner of adding directional sensitivity to the Gamma.

The aperture is then physically oriented to Mud Motor Highside eliminating any confusion over orientation. This service allows the ability to geosteer based on Gamma in areas where there is significant difference of natural radioactivity in between formations. This directional sensitivity also allows the potential for inference of relative formation dip angles, with a two pass logging sweep.

- Identify thinly bedded formations
- Inference of formation dip angles
- Relative distance from formations with large differing API counts



EB0001 EN 05 15 Focused Gamma Add-On © 2015 Ensign Energy Services. Printed in Canada. All rights reserved.

Ensign Energy Services Inc.

400 - 5 Avenue SW, Suite 1000 Calgary, AB T2P 0L6

TEL 403.262.1361 FAX 403.262.8215 info@ensignenergy.com ensignenergy.com

ENSIGN | directional
drilling



drilling | directional drilling | testing | well servicing